

# HIGH FREQUENCY MAGNETICS

## Miniature Broadband Surface Mount Transformers

TM00150

- Minimum interwinding breakdown voltage of 1500 Vrms

### ELECTRICAL SPECIFICATIONS at 25° C

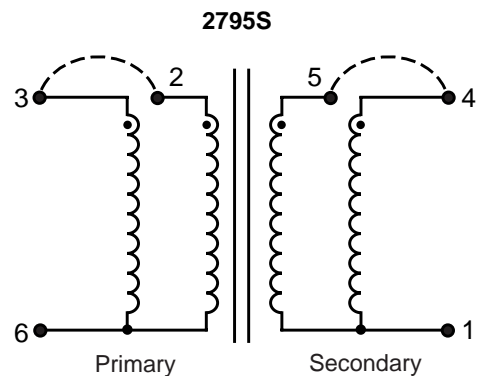
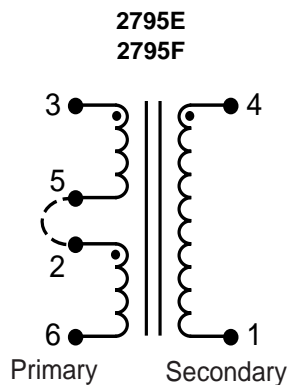
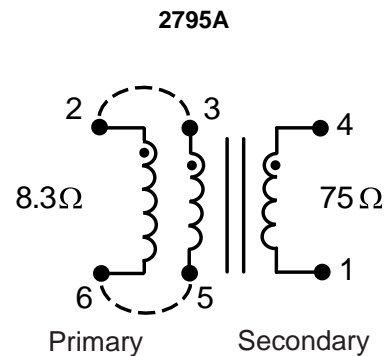
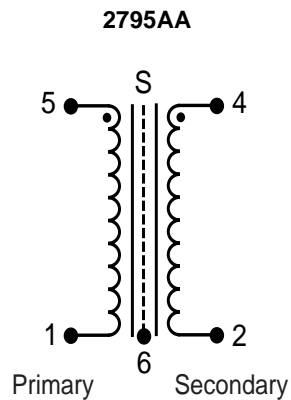
Part Number	Turns Ratio ± 2%	Primary Inductance <sup>1</sup> μH min	Leakage Inductance μH max	DCR Ω max		Interwinding Capacitance pF typ	3 dB Operating Frequency Spectrum typ
	Pri : Sec			Pri	Sec		
2795AA	1 : 1	27	0.22	0.3	0.3	2.0 <sup>2</sup>	0.1 MHz - 100 MHz
2795E	1CT : 1	27	0.13	0.4	0.2	19	0.1 MHz - 100 MHz
2795S	1 : 1.15	32	0.15	0.2	0.2	40	0.1 MHz - 100 MHz
2795F	1CT : 1.75	37 <sup>3</sup>	0.10	0.3	0.25	13	0.1 MHz - 100 MHz
2795A	1 : 3	42 <sup>3</sup>	0.2 <sup>3</sup>	0.1	0.2	19	0.1 MHz - 100 MHz

1. Measured at 500 kHz, 0.5 Vac

2. With terminal 6 (shield) grounded

3. Secondary inductance

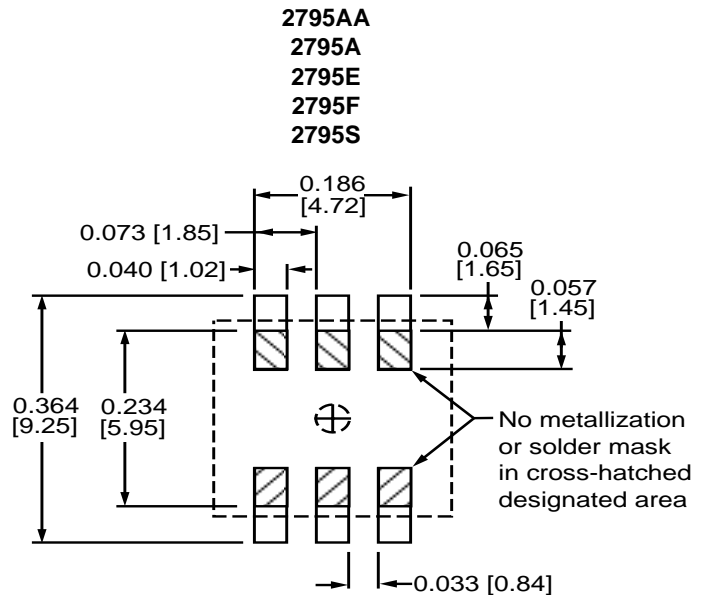
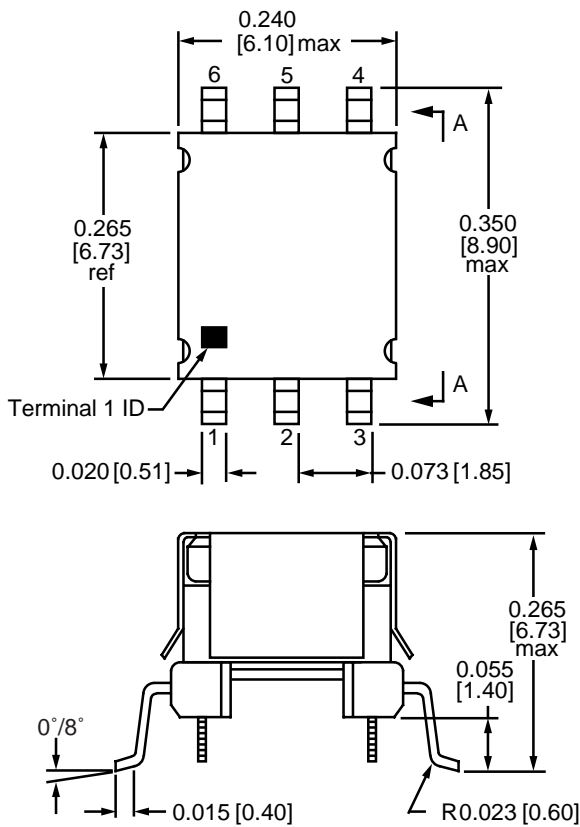
### SCHEMATICS



©2000 Bel Fuse Inc. Specifications subject to change without notice. 05.00

TM00150

#### MECHANICAL



#### Suggested PCB Pad Layout

Note: Unless otherwise specified, dimensions are nominal and in inches [millimeters].

#### Supplementary Information

Operating Temperature Range	-40° C to +85° C
Safety Agency Compatibility	Underwriters Laboratories, Inc. UL 1459
Surge Voltage Capability	10/700 µs; 10 repetitions of alternating polarity
Metallic Voltage	2500 V peak generator output, 25Ω generator resistance
Longitudinal Voltage	2500 V peak generator output, 25Ω generator resistance
Flammability Compliance	IEC-695, 2-2 (needle flame test), materials are UL 94 VO approved
Qualification Compliance	Bellcore TR-TSY-000357-1 (shock, vibration, temperature cycling, temperature-humidity-bias)
Simulation Model	SPICE computer simulation file available on request
Surface-Mount Packaging	Tape and Reel; 16 mm wide by 12 mm pitch; 13 inch OD; 4 inch ID 650 transformers per reel, maximum Meets ANSI/EIA 481-2 Carrier Tape Standards—JEDEC SO package
Terminal Lead Coplanarity	0.004 inch [0.10 mm]
PWB Process Capability	Standard printed-wiring board assembly and cleaning techniques Standard solder reflow techniques Machine placement (recommendation: locate by terminals, not body)

©2000 Bel Fuse Inc. Specifications subject to change without notice. 05.00

#### CORPORATE

**Bel Fuse Inc.**  
 198 Van Vorst Street  
 Jersey City, NJ 07302  
 Tel 201-432-0463  
 Fax 201-432-9542  
 www.belfuse.com

#### FAR EAST

**Bel Fuse Ltd.**  
 8F / 8 Luk Hop Street  
 San Po Kong  
 Kowloon, Hong Kong  
 Tel 852-2328-5515  
 Fax 852-2352-3706  
 www.belfuse.com

#### EUROPE

**Bel Fuse Europe Ltd.**  
 Preston Technology Management Centre  
 Marsh Lane, Suite G7, Preston  
 Lancashire, PR1 8UD, U.K.  
 Tel 44-1772-556601  
 Fax 44-1772-888366  
 www.belfuse.com